



PARKER™

LED Rotatable Wall Pack



Beyond LED Technology's Parker rotatable wall pack is the latest and state-of-the-art product of 2021. It offers a rotatable classic appearance with energy-efficient LED technology and up to 145 lumens per watt efficacy. With our range luminaires you can angle the light exactly where you need it! This product offers a 60° viewing angle, so you don't have to guess which light to purchase and easily rotate the light to push it all away from the building, all down or find that perfect balance. Parker offers three selectable wattages. Parker luminaires come with a die cast aluminium housing and a polycarbonate lens to stand up to many years of punishing environmental conditions.

Product Features

- Up to 145 lumens per watt
- Universal operation at 120-277Vac 50-60Hz
- Wattage Adjustable
- Operating temperature: -30°C to 45°C
- Durable die-cast aluminium housing
- Enclosure provides a water-tight seal making it suitable for outdoor application
- Integral LED driver (isolated), eliminates the need for an external driver or ballast
- High Quality and Efficacy SMD3030 chips
- This product is IP65 rated, therefore, it is waterproof, sealed and gasketed wire
- 60° viewing angle
- Environment friendly with no mercury
- Easy to install and operate, with instant and no humming
- UL & DLC Listed
- 5 Year warranty

PARKER™

LED Rotatable Wall Pack



SKU #	Model #	Wattage Adjustable	Lumens Adj.	CCT	IP	Dimming	Input Voltage	Housing	Certifications
153594	BLT-RWP01B-60WH1 CYT1SA1-BRA50	30W/40W/ 60W	3900Lm/ 7800Lm	5000K	IP65	0-10V	120V-277V	Bronze	UL & DLC
153593	BLT-RWP01B-120WF 1CYT1SA2 -BRA50	80W/100W/ 120W	10400Lm/ 15600Lm	5000K	IP65	0-10V	120V-277V	Bronze	UL & DLC

SKU #. 153594

Specifications

Parameter	Description	Value
General Performance	Model #	BLT-RWP01B-60WH1CYT1SA1-BRA50
	Wattage Adjustable	30W / 40W / 60W
	Lumens Adjustable	3900Lm / 7800Lm
	Lumen Efficacy	Up to 145LM/W
	Color Temperature	5000K
	CRI (Ra)	>70
Electrical	Beam Angle (50%)	60°Degree
	Tolerance	±15%
	Input Voltage	120-277Vac
	Frequency	50/60Hz
	PF	≥0.9
	THD	≤20%
	Flicker Percent	<75%
	Driver Model	HB-LPG060-52
Physical	Driver Surge protection	L-N:4KV,L/N-GND:4KV
	Dimming	0-10V Dimming Standard
	Operating Temperature	-30°C TO 45°C
	Storage Temperature	10%-90% RH
	Operating Humidity	-40°C TO 80°C
	Storage Humidity	10%-95% RH
	LED Brand	Seoul
	LED Type	SMD 3030
Qualification	LED Qty	63 Pcs
	Housing	Die-cast Aluminum
	Housing Color	Bronze
	Waterproof Rating	WET (IP65)
Warranty	5 Year	

LED ROTATABLE WALL PACK



PARKER™

LED Rotatable Wall Pack

SKU #. 153593

Specifications

Parameter	Description	Value
General Performance	Model #	BLT-RWP01B-120WF1CYT1SA2 -BRA50
	Wattage Adjustable	80W / 100W / 120W
	Lumens Adjustable	10400Lm / 15600Lm
	Lumen Efficacy	Up to 145LM/W
	Color Temperature	5000K
	CRI (Ra)	>70
Electrical	Beam Angle (50%)	60°Degree
	Tolerance	±15%
	Input Voltage	120-277Vac
	Frequency	50/60Hz
	PF	≥0.9
	THD	≤20%
	Flicker Percent	<50%
Physical	Driver Model	FD-150E-054B
	Driver Surge protection	Differential mode:6KV.Common mode:10KV
	Dimming	0-10V Dimming Standard
	Operating Temperature	-40°C TO 45°C
	Storage Temperature	10%-90% RH
	Operating Humidity	-40°C TO 80°C
	Storage Humidity	10%-95% RH
	LED Brand	Seoul
	LED Type	SMD 3030
LED Qty	126 Pcs	
Qualification	Housing	Die-cast Aluminum
	Housing Color	Bronze
	Waterproof Rating	WET (IP65)
	Warranty	5 Year

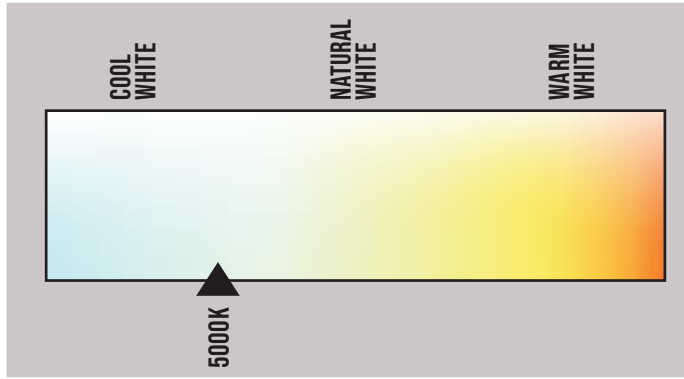
LED ROTATABLE WALL PACK

PARKER™

LED Rotatable Wall Pack

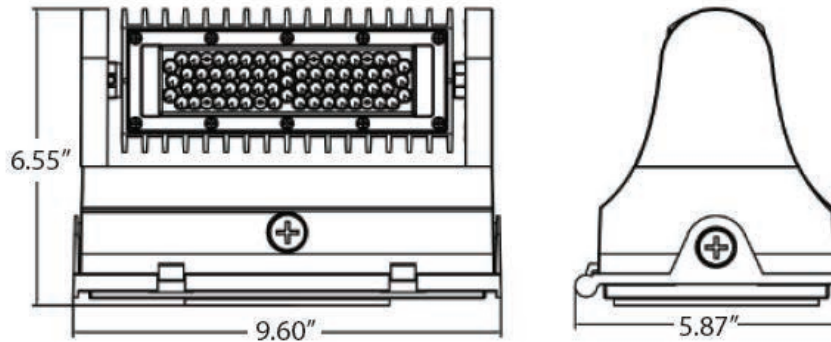


Correlated Color Temperature (CCT)

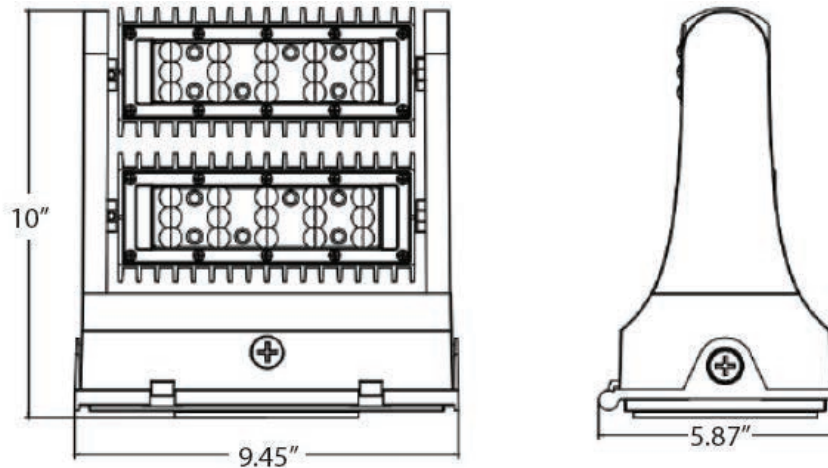


Dimension

SKU: 153594



SKU: 153593





PARKER™

LED Rotatable Wall Pack

SKU: 153594

Light Distribution Testing Parameters

Luminaire Property

Luminaire Manufacturer:

Voltage: 120.0 V

Power: 59.24 W

Current: 0.499 A

Power Factor: 0.988

Photometric Results

IES Classification: Type I

Total Rated Lamp Lumens: 8016.3 lm

Efficiency: 100%

Upward Ratio: 2%

Central Intensity: 6422.41 cd

Pos of Max. Intensity: H135 V3

Longitudinal Classification: Very Short

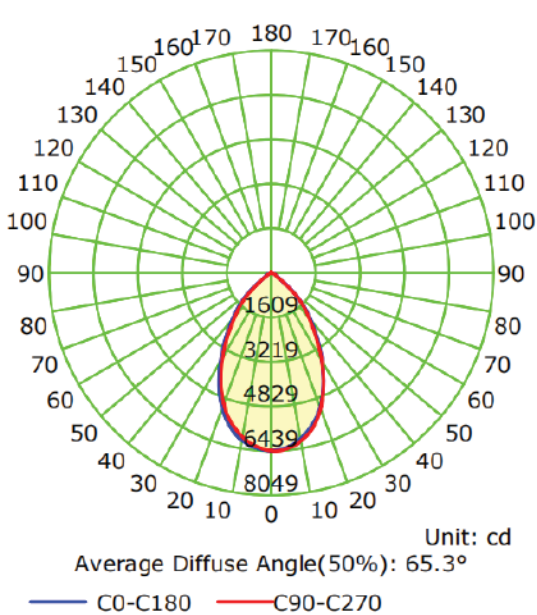
Measurement Flux: 8016.3 lm

Downward Ratio: 98%

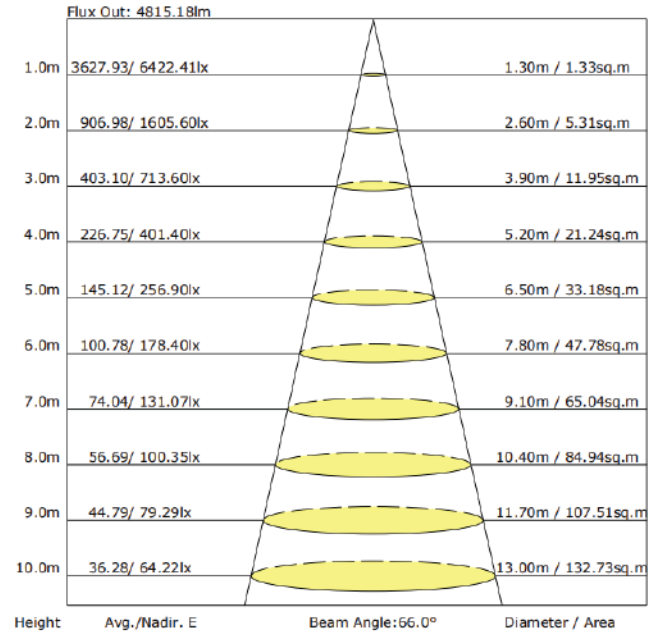
Luminaire Efficacy Rating (LER): 135.37

Max. Intensity: 6439.62 cd

Luminous Intensity Distribution Curve



The Average Illuminance Effective Figure



PARKER™

LED Rotatable Wall Pack



SKU: 153593

Light Distribution Testing Parameters

Luminaire Property

Luminaire Manufacturer:

Voltage: 120.0 V

Power: 117.51 W

Current: 0.980 A

Power Factor: 0.999

Photometric Results

IES Classification: Type I

Total Rated Lamp Lumens: 16194.4 lm

Efficiency: 100%

Upward Ratio: 1%

Central Intensity: 13375.33 cd

Pos of Max. Intensity: H180 V2

Longitudinal Classification: Very Short

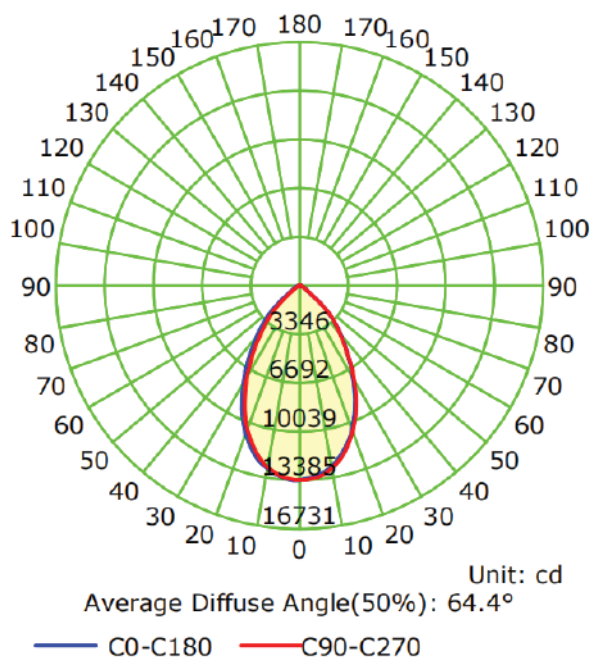
Measurement Flux: 16194.4 lm

Downward Ratio: 99%

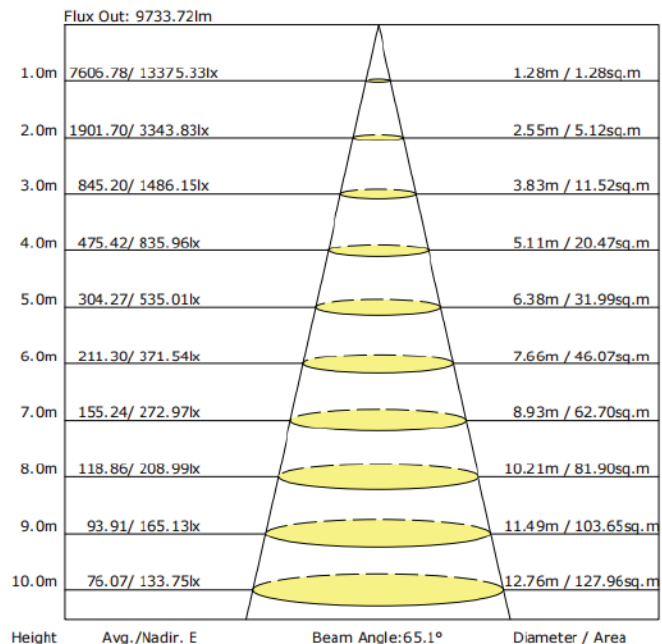
Luminaire Efficacy Rating (LER): 137.86

Max. Intensity: 13385.59 cd

Luminous Intensity Distribution Curve



The Average Illuminance Effective Figure



LED ROTATABLE WALL PACK



PARKER™

LED Rotatable Wall Pack

Installation

Warning:

1. Can not use the electric generator to test the LED lamp;
2. This luminaire must be installed in accordance with your local electrical codes and requirements;
3. Do not install the luminaire in rainy days, to avoid lightning stroke and damage to luminaire.

Installation notice:

1. This luminaire must be installed by qualified electrician to avoid electric shock and fire accident;
2. Wear gloves before installation in order to avoid injury;
3. Turn off the power immediately when there is smoke and fire during installation, inform professionals to overhaul;
4. This luminaire is suitable for outdoor use.

Installation :

Step 1: Use a screwdriver to loosen the screws connecting the lamp base so as to remove the lamp base cover (Figure 1 & Figure 2) ;

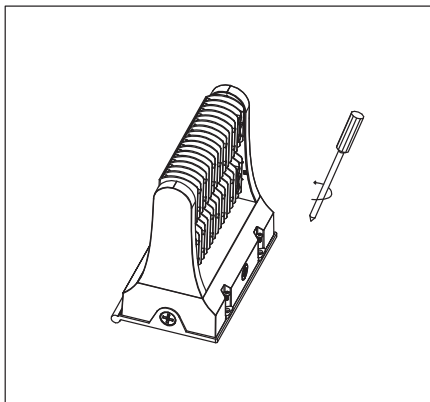


Figure 1

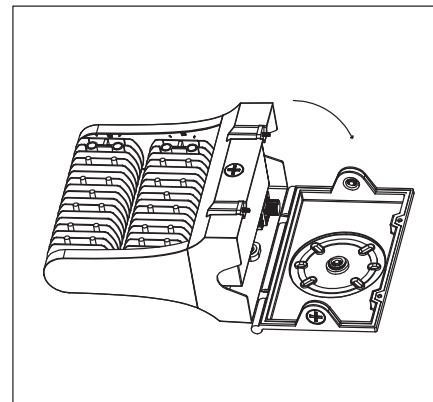


Figure 2

PARKER™

LED Rotatable Wall Pack



Installation

Step 2: Drill an installation holes at the bottom of light, paste the EVA mat (Figure 3 & Figure 4) ;

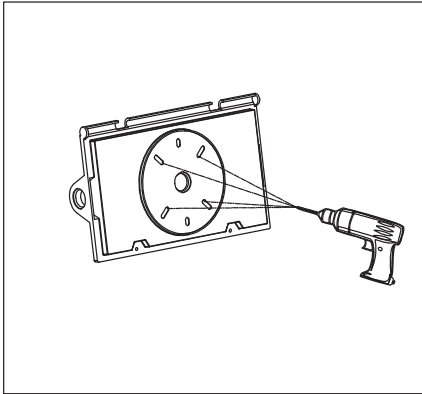


Figure 3

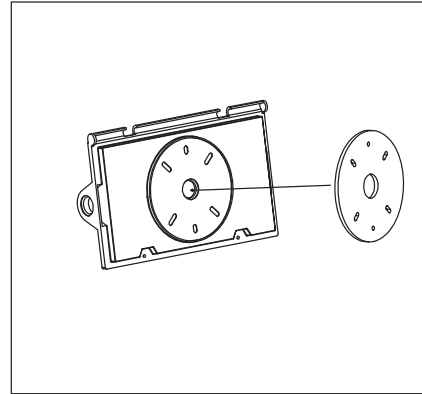


Figure 4

Step 3: Drill holes on the wall according to the locating plate (Figure 5) ;

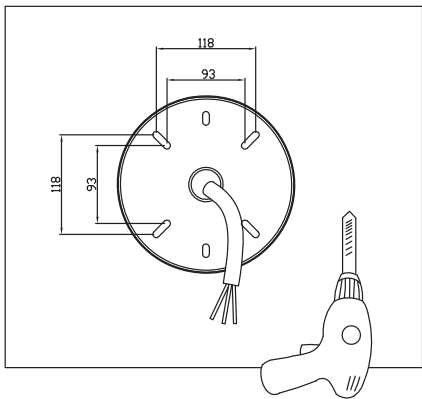


Figure 5

Step 4: Fix rubber plugs into holes (Figure 6) ;

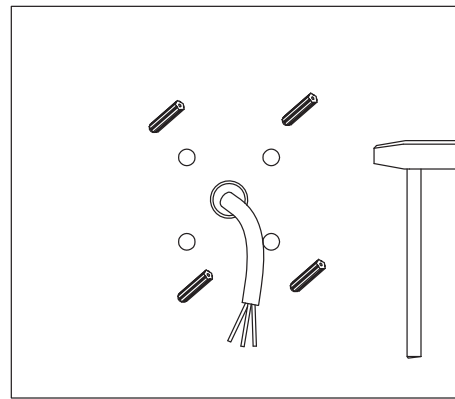


Figure 6

Step 5: Align the holes on the lamp base with the holes on the wall, and tighten the screws (Figure 7) ;

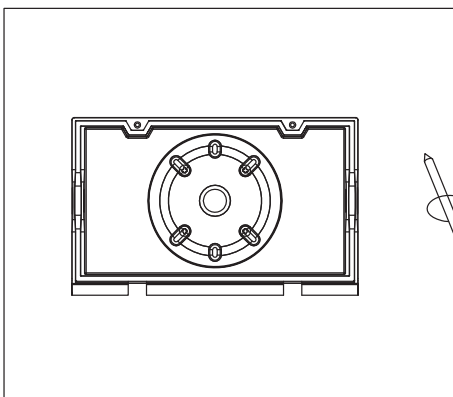


Figure 7



PARKER™

LED Rotatable Wall Pack

Installation

Step 6: Buckle the rotating shaft of the lamp base from the back of the cover and connect the wires properly (Figure 8 & Figure 9) ;

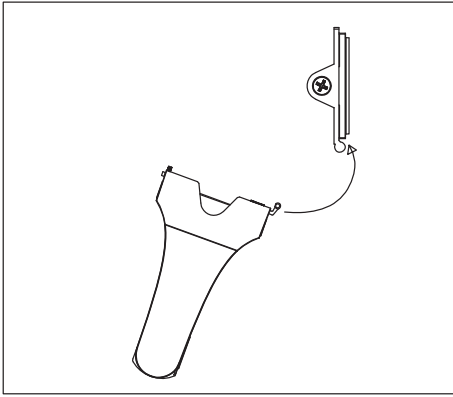


Figure 8

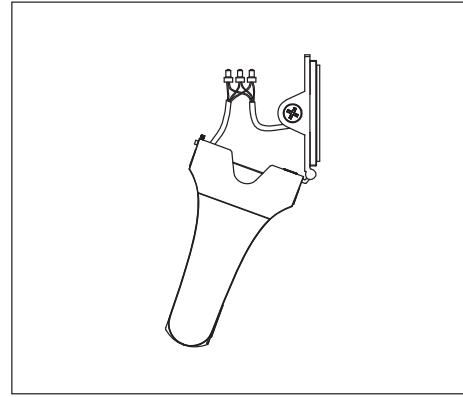


Figure 9

Step 7: Well organize the line and tighten the screws of the lamp base ((Figure 10 & Figure 11)

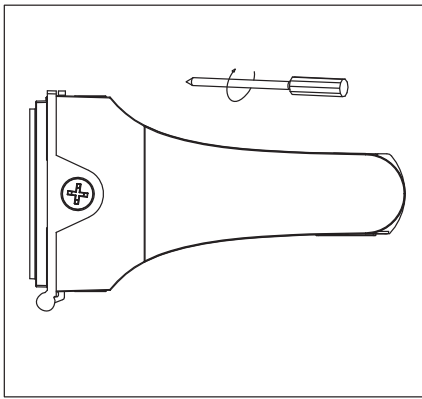


Figure 10

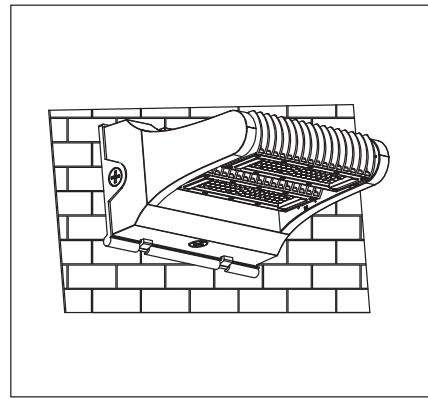
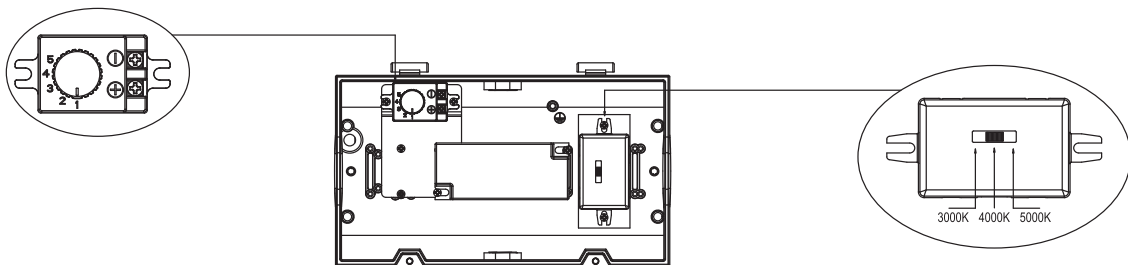


Figure 11

NOTE: Lamp color temperature and power can be adjusted as needed before locking the back cover, in case of the lamp is designed with these functions.



PARKER™

LED Rotatable Wall Pack



Installation

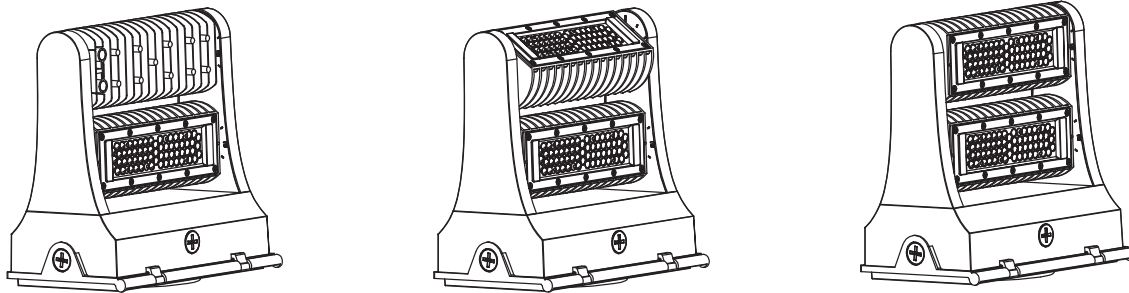
Standard wire:

L/live wire: Black\Brown;

N/null wire: White\Blue;

Ground wire: Green\Yellow-green.

Note: To meet the requirements of DLC certification, lamps are limited to the same side of the light-emitting use, not in different directions of irradiation use (as shown below).



Warning/Advertisement:

SUITABLE FOR WET LOCATIONS

CAUTION – RISK OF SHOCK

DISCONNECT POWER BEFORE SERVICING

CAUTION – RISK OF FIRE

MIN 75 °C SUPPLY CONDUCTORS

SUITABLE FOR OPERATION IN AMBIENT NOT EXCEEDING 45°C

CONVIENT AUX EMPLACEMENTS MOUILLÉS

ATTENTION – RISQUE DE CHOC

COUPER L'ALIMENTATION AVANT L'ENTRETIEN

ATTENTION – RISQUE D'INCENDIE

LES FILS D'ALIMENTATION 75 °C MIN

PEUT ÊTRE UTILISÉ À UNE TEMPÉRATURE AMBIANTE N'EXCÉDANT PAS 45 °C



PARKER™

LED Rotatable Wall Pack

Notes Before Installation

1. Be careful to open the carton, contact us if any damage.
2. This product must be installed in accordance with the applicable installation, code by a person familiar with the construction and operation of the product and the hazards involved.
3. "caution - risk of shock" and "disconnect power before servicing" when photoelectric switch provided.
4. Please check whether the voltage marked on the luminaire is consistent with the input voltage to be connected, so as not to damage the LED luminaire.
5. To ensure the lifetime of the product, please do not use it in a place with strong acid mist.
6. Make sure the installation position can withstand 10 times the weight of the luminaire before installation and install it at a flat place without vibration, no swing, no fire hazard.

Notice For User

1. This luminaire must be installed by qualified electrician to avoid electric shock and fire accident.
2. Wear gloves before installation in order to avoid injury.
3. Turn off the power immediately when there is smoke and fire during installation, inform professionals to overhaul.
4. This luminaire is suitable for outdoor use.

Trouble Shooting

Troubles	Checking Points
Flickering of the light	Turn off the power and turn on again in 3 minutes. If same phenomena occur, then call agencies.
Out of working	Please check the connection.

Packaging

SKU	Box Type	Box Dimensions (Inches)	Qty	Net Weight	Gross Weight
153594	Inner Box	11.61 x 7.87 x 8.46	1 Pc		
	Outer Box	16.33 x 12.20 x 17.72	4 PCS	15.34 LBS	20.94 LBS
153593	Inner Box	11.61 x 7.87 x 11.81	1 Pc		
	Outer Box	16.33 x 12.20 x 12.60	2 PCS	13.84 LBS	17.86 LBS

PARKER™

LED Rotatable Wall Pack



Application Picture

- Entrance lighting • Courtyard lighting • centre • parks • car-packing place • Stadiums
- Industrial lighting • billboards • outdoor landscape light • landscaping works • building • stairway
- facades and public corridors



LED ROTATABLE WALL PACK



PARKER™

LED Rotatable Wall Pack

Safety and Precautions

To reduce the risk of death, personal injury or property damage from fire, electric shock, falling parts, cuts/abrasions, and other hazards read all warnings and instructions included with and on the fixture box and all fixture labels.

Before installing, servicing, or performing routine maintenance upon this equipment, follow these general precautions.

Commercial installation, service and maintenance of luminaires should be performed by a qualified licensed electrician.

For the installation: If you are unsure about the installation or maintenance of the luminaires, consult a qualified licensed electrician and check your local electrical code.

To prevent wiring damage or abrasion, do not expose wiring to edges of sheet metal or other sharp objects. Do not make or alter any open holes in an enclosure of wiring or electrical components during kit installation.

WARNING: RISK OF FIRE OR ELECTRICAL SHOCK

Turn off electrical power at fuse or circuit breaker box before wiring fixture to the power supply.

Turn off the power when you perform any maintenance.

Verify that supply voltage is correct by comparing it with the luminaire label information.

Make all electrical and grounded connections in accordance with the National Electrical Code and any applicable local code requirements. All wiring connections should be capped with UL approved wire connectors.

WARNING: BEFORE INSTALLATION

1. Can not use the electric generator to test the LED lamp.
2. This luminaire must be installed in accordance with your local electrical codes and requirements.
3. Do not install the luminaire in rainy days, to avoid lightning stroke and damage to luminaire.

CAUTION: RISK OF INJURY

CAUTION: RISK OF INJURY

Avoid direct eye exposure to the light source while it is on.

Account for small parts and destroy packing material, as these may be hazardous to children

Warranty

5 Years Warranty